

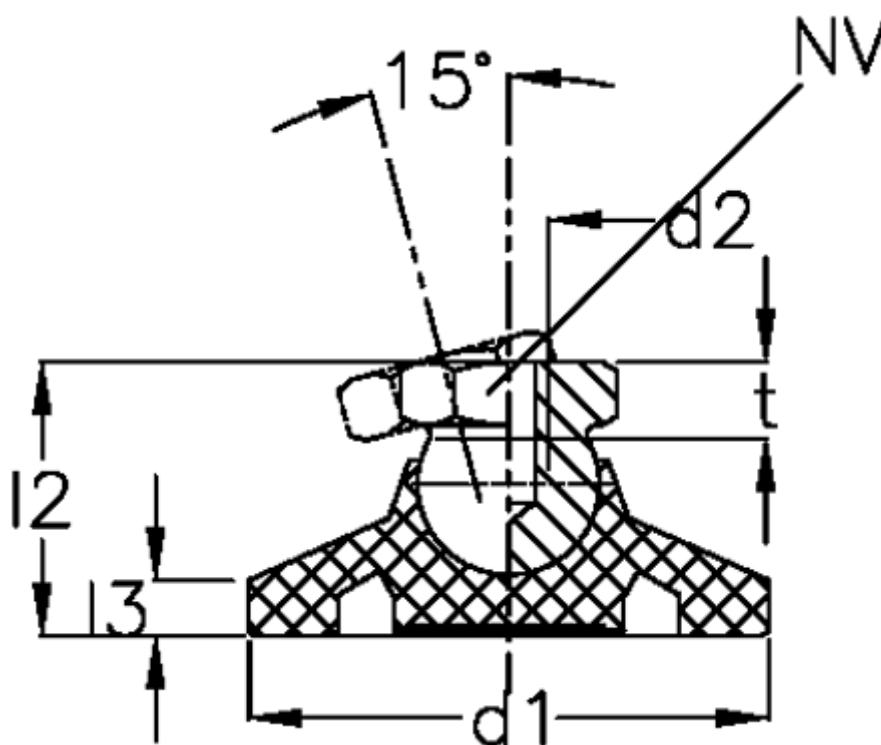
Data Sheet



Article number: 20957467

Description: E+G Levelling foot
GN 343.3-50-M10-A

Measures



d1	= 50
d2	= M10
l2	= 27.5
l3	= 7.0
NV	= 15.0
Static load (N)	= 10000
t min	= 10.5